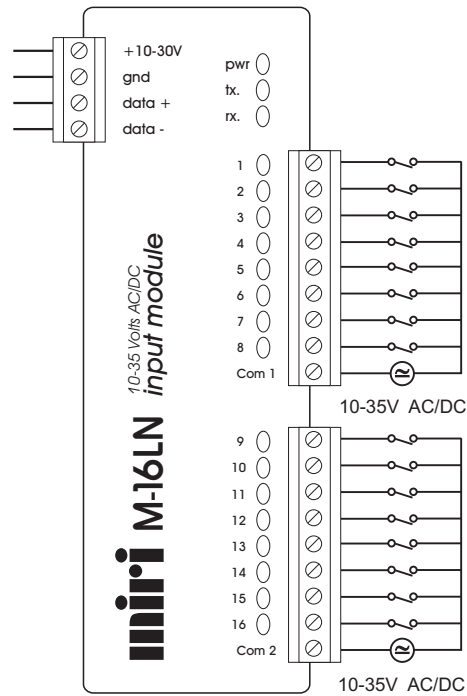
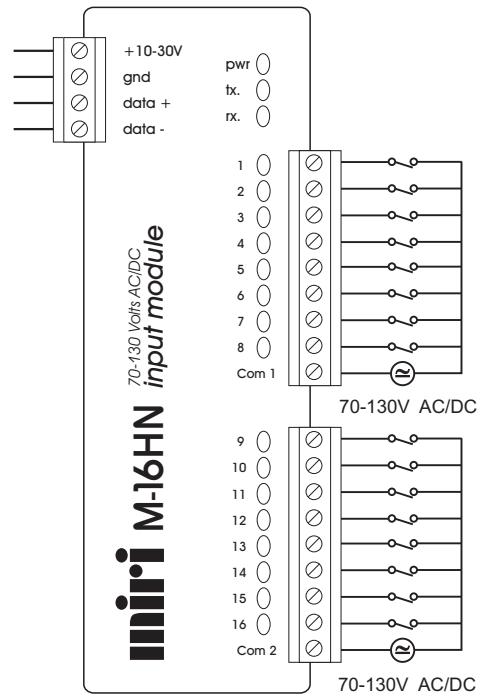


M-16LN input module 10-35 Volts AC/DC



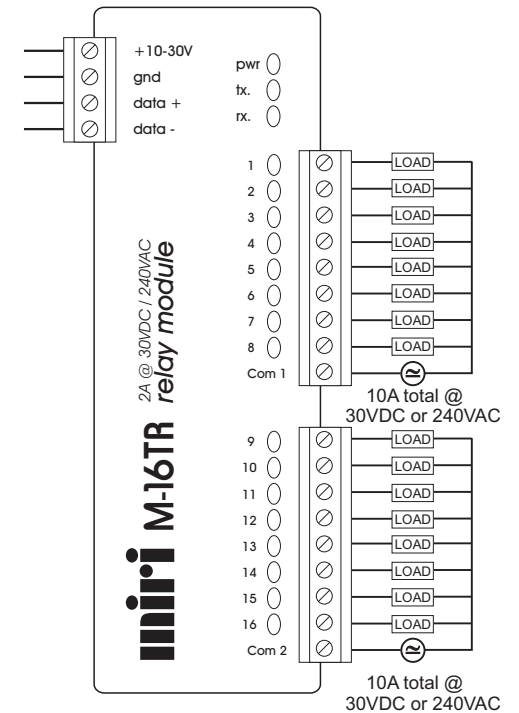
Inputs per module	16 opto-isolated
Input voltage range	10-35 Volts AC or DC
Input impedance	4k7 ohms
Commons per module	2 separate groups of 8
Isolation	3.5kV
Module supply voltage	10-30VDC
Module power drain	no inputs driven - 200mW all inputs driven - 1.2W

M-16HN input module 70-130 Volts AC/DC



Inputs per module	16 opto-isolated
Input voltage range	70-130 Volts AC or DC
Input impedance	27k ohms
Commons per module	2 separate groups of 8
Isolation	3.5kV
Module supply voltage	10-30VDC
Module power drain	no inputs driven - 200mW all inputs driven - 1.2W

M-16TR relay module 2 Amps



Outputs per module	16 Relays
Output current capability	2A @ 30VDC or 240VAC
Commons per module	2 separate groups of 8
Total output capability	10A per common
Isolation	3.5kV
Module supply voltage	10-30VDC
Module power drain	no outputs driven - 200mW all outputs driven - 2W